

Product data sheet

Specifications



Power relay, SE Relays, 15A, DPDT, 240 VAC, cover with locking push button and LED

782XBM4L-240A

⚠ To be discontinued

⚠ To be discontinued on: Mar 31, 2026

⚠ To be end-of-service on: Jun 30, 2026

Product availability: Stock - Normally stocked in distribution facility

Main

| | |
|---------------------|-------------|
| Product Range | Legacy |
| Product Type | Power relay |
| Switch Function | DPDT |
| Contact Composition | 2 NO + 2 NC |

Complementary

| | |
|----------------------------|--|
| Input Current | 15 A |
| Contacts Material | Silver alloy, gold flashed |
| Local Signalling | LED Flag |
| Control Type | Lockable test button |
| Minimum Switching Current | 10 mA 17 V |
| Coil Resistance | 17720 Ohm |
| Input voltage | 240 V AC |
| Drop-out Voltage Threshold | $\geq 0.15 U_c$ AC $\geq 0.1 U_c$ DC |
| Rated Operational Current | 15 A at 120...277 V AC conforming to UL 15 A at 28 V DC conforming to UL 15 A at 120/150 V AC conforming to CSA 10 A at 151/277 V AC conforming to CSA 15 A at 28 V DC conforming to CSA 15 A at 250 V AC (NO) conforming to IEC 15 A at 28 V DC (NO) conforming to IEC 7.55 A at 250 V AC (NC) conforming to IEC 7.55 A at 28 V DC (NC) conforming to IEC |
| Power consumption in W | 1.15 W DC |
| Power consumption in VA | 1.4 VA AC |
| Voltage Range | 0.8...1.1 U_n AC/DC |
| Maximum Switching Voltage | 300 V AC UL 300 V AC CSA 250 V AC IEC |
| Motor Power HP | 0.5 hp 120 V AC 50/60 Hz 1 hp 277 V AC 50/60 Hz |
| Connections Terminals | Faston terminals |
| Mounting | Socket |

Price is "List Price" and may be subject to a trade discount – check with your local distributor or retailer for actual price.

| | |
|-----------------------|-----------------------------------|
| Height | 1.5 in (39.1 mm) |
| Width | 0.8 in (21 mm) |
| Depth | 1.07 in (27.3 mm) |
| Product Weight | 1.3 oz (36 g) |
| Operating Time | 20 ms operating 20 ms tripping |

Environment

| | |
|--|---|
| Ambient Air Temperature for Operation | -40...131 °F (-40...55 °C) |
| Ambient Air Temperature for Storage | -40...185 °F (-40...85 °C) |
| Product Certifications | UL CE CSA |
| Electrical Durability | 100000 cycles resistive |
| Mechanical Durability | 10000000 cycles |
| Dielectric Strength | 2000 V AC between coil and contact 2000 V AC between poles 1500 V AC between contacts |
| Shock Resistance | 15 gn in operation |
| Vibration Resistance | +/- 1 mm 10...35 Hz) 3 gn 35...150 Hz) |

Ordering and shipping details

| | |
|--------------------------|---------------|
| Category | US10CP221127 |
| Discount Schedule | 0CP2 |
| GTIN | 3606480280368 |
| Returnability | Yes |
| Country of origin | CN |

Packing Units

| | |
|-------------------------------|-------------------|
| Unit Type of Package 1 | PCE |
| Nbr. of units in pkg. | 1 |
| Package 1 Height | 1.07 in (2.73 cm) |
| Package 1 Width | 0.8 in (2.1 cm) |
| Package 1 Length | 1.85 in (4.71 cm) |
| Package weight(Lbs) | 1.3 oz (36 g) |

Contractual warranty

| | |
|-----------------------------|----|
| Warranty (in months) | 18 |
|-----------------------------|----|



Environmental Data

Schneider Electric aims to achieve Net Zero status by 2050 through supply chain partnerships, lower impact materials, and circularity via our ongoing “Use Better, Use Longer, Use Again” campaign to extend product lifetimes and recyclability.

[Environmental Data explained >](#)

[How we assess product sustainability >](#)

Environmental footprint

Carbon footprint (kg CO2 eq, Total Life cycle) 21

Environmental Disclosure [Product Environmental Profile](#)

Use Better

Materials and Substances

Packaging made with recycled cardboard Yes

Packaging without single use plastic Yes

[EU RoHS Directive](#) Pro-active compliance (Product out of EU RoHS legal scope)

REACH Regulation [REACH Declaration](#)

California proposition 65 **WARNING:** This product can expose you to chemicals including: Nickel compounds, which is known to the State of California to cause cancer, and Di-isodecyl phthalate (DIDP), which is known to the State of California to cause birth defects or other reproductive harm. For more information go to www.P65Warnings.ca.gov

Use Again

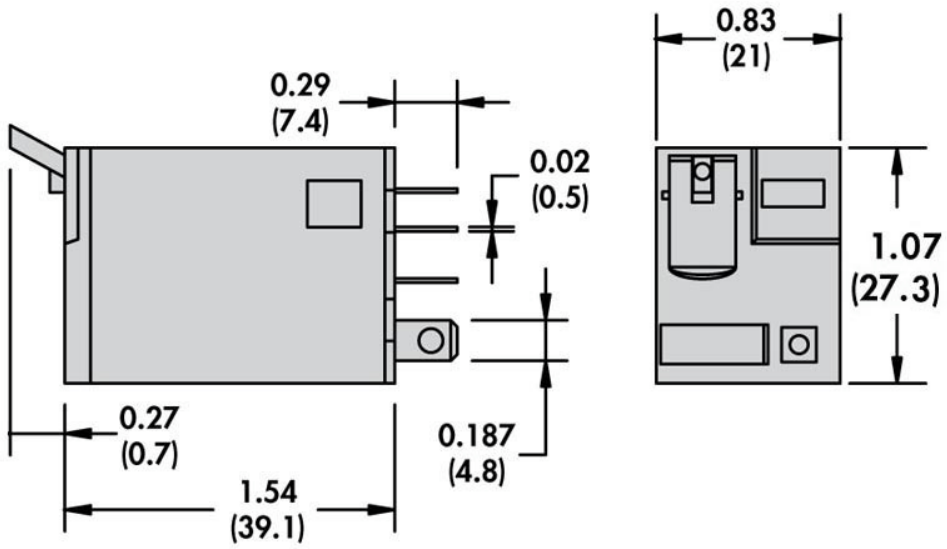
Repack and remanufacture

Circularity Profile [End of Life Information](#)

Take-back No

Dimensions Drawings

Approximate Dimensions



Connections and Schema

Connections and Wiring Diagrams

